



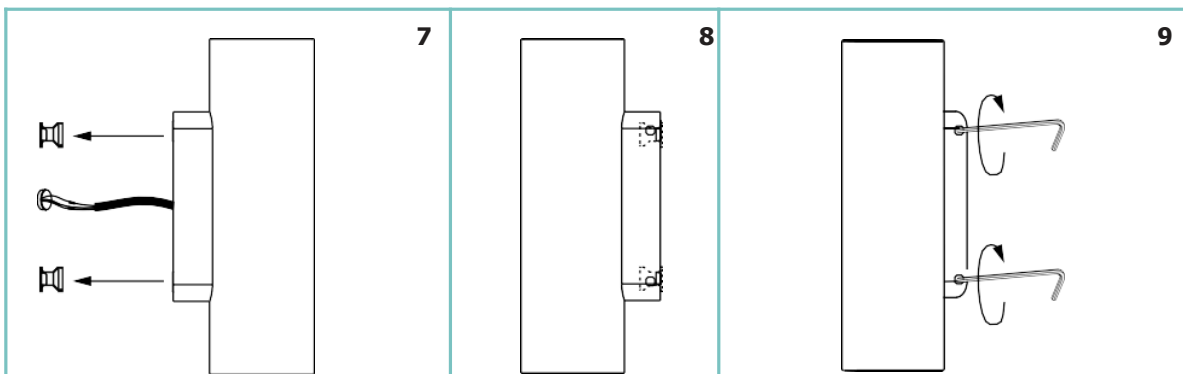
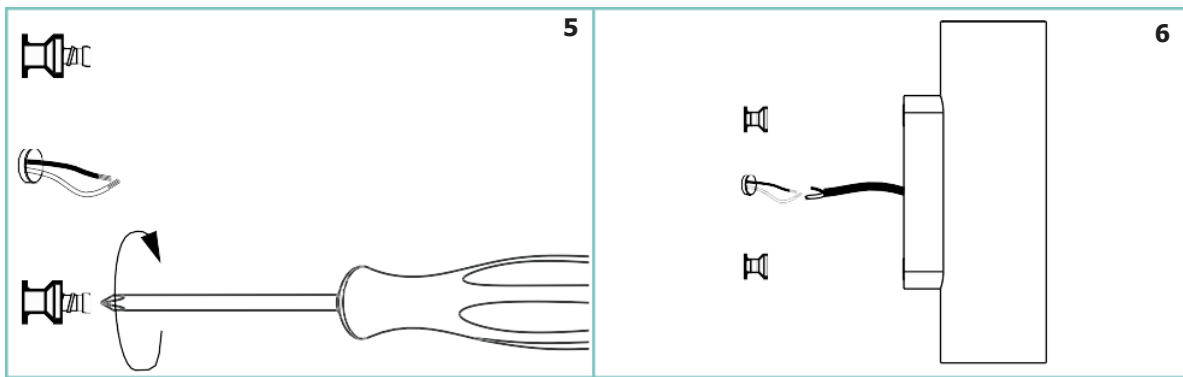
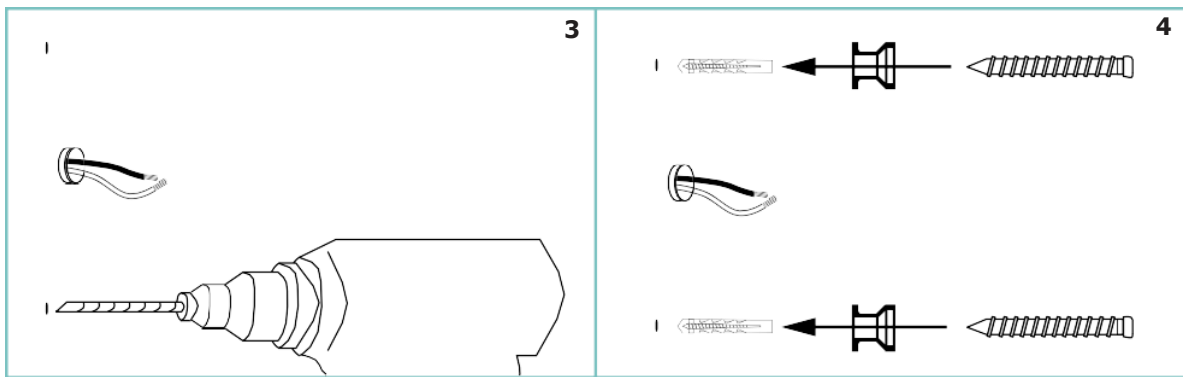
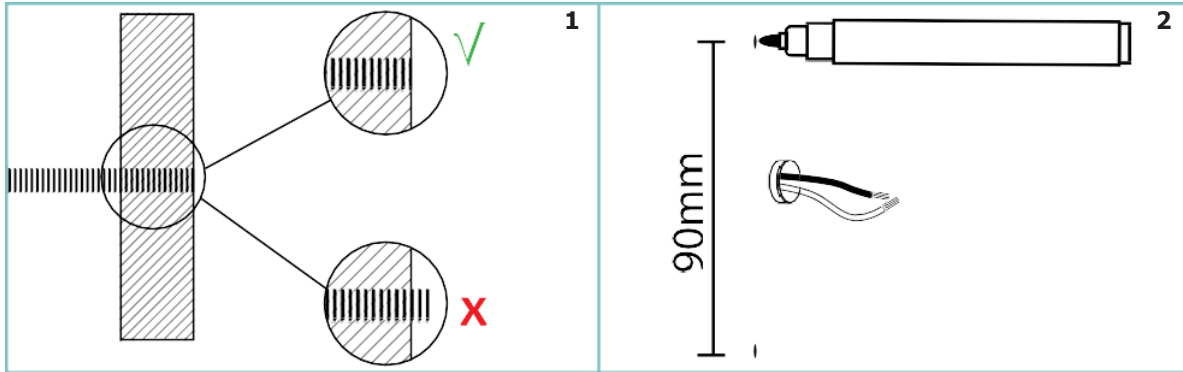
## TRACER 60

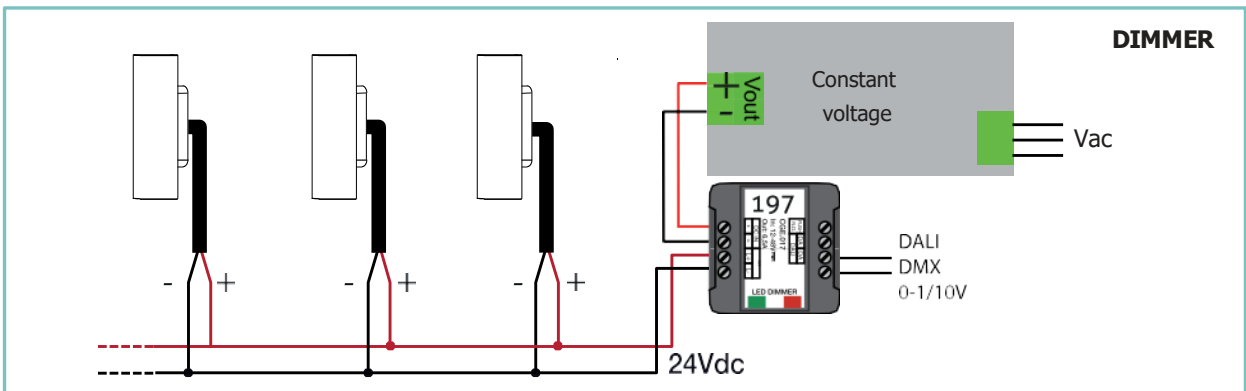
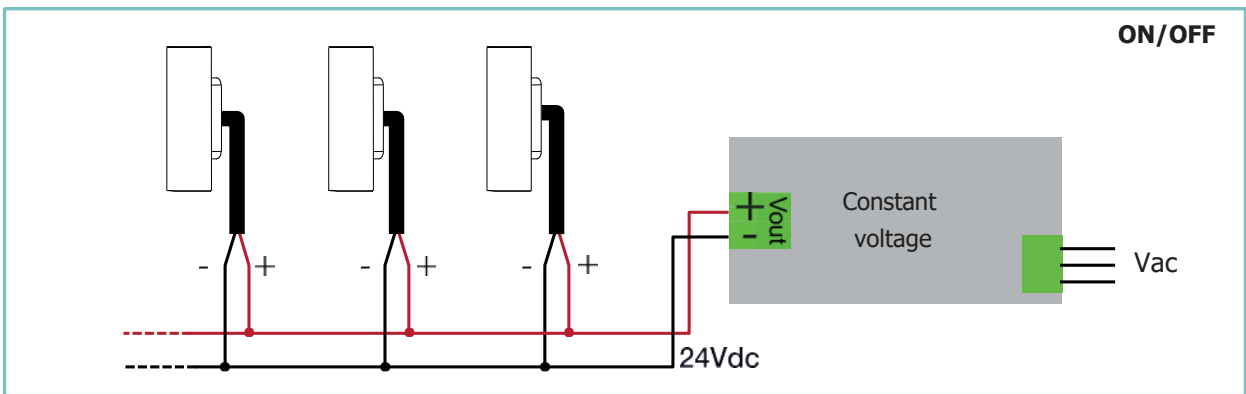
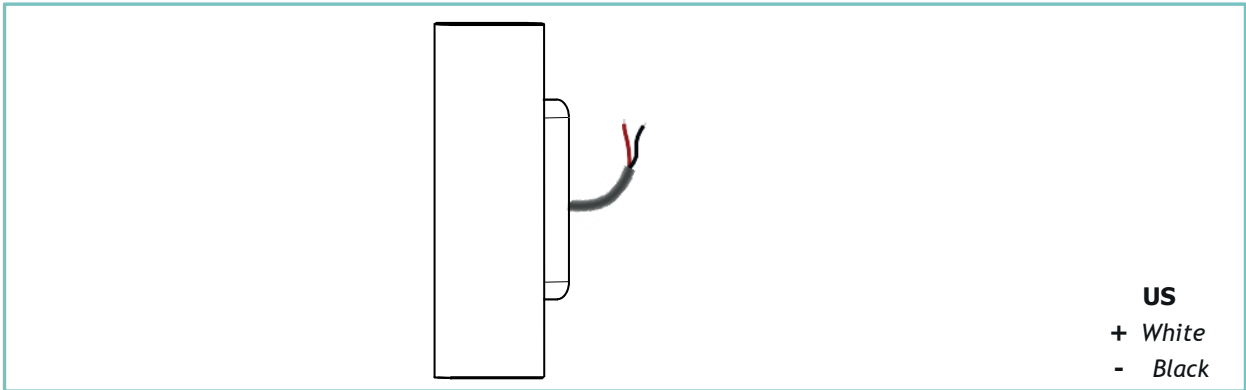
Tracer 60 is an extremely efficient compact up and down wall washer, designed for optical excellence and engineered for complete resilience. Tracer 60 features the unonovesette Smart Shield system, complete with an integrated constant current driver, which allows the luminaire to be powered in parallel with a 24Vdc constant voltage power supply. Finishes include as standard aged solid brass, white and black aluminium and on request any RAL colour is available. With a deep recess of the in-house designed PCB, Tracer 60 offers excellent glare control. Available with a choice of four beam angles (10°, 30°, 50°, elliptical).

### NOTE!



This fixture is guaranteed only if installed with constant voltage 197 drivers.







IP 66



## TECHNICAL DATA

Body:	Anodized aluminium 6026 / Aged brass
Glass:	Extra clear, tempered glass 2mm
Finishes:	White RAL 9003 / Black RAL 9005 / Aged brass
Installation:	Surface mounted
Power supply cables:	35 cm NS20N PCP 2x0,5 mm <sup>2</sup>
Power supply: Power consumption:	Constant voltage 24Vdc 10 Watt / 18 Watt
CRI:	>90
Bin selection:	Binning free 2 step MacAdam's
Lumenoutput (source):	2x515 lm / 2x730 lm (3000K)
Operating temperature:	-20°C +50°C
IP rating:	IP66
Insulation class:	Class III
Impact resistance:	IK04
Weight:	1,35 kg
Optics:	10° / 30° / 50° / 10°x45°
Energy rating:	A++
LED colour temperature:	2700K / 3000K / 4000K
Lifetime LED:	100000 hrs
Photo biological risk:	RG0 / RG1

### WARNING!



Do not cover the light fixture, make sure it is guaranteed the cooling of the lamp.

Never connect or disconnect the fixture when the driver is powered.

The safety of the fitting is guaranteed by the correct use of the following instructions. It is therefore necessary to keep them.

When carrying out all assembly, maintenance and fixture replacement operations, make sure that the power is off.

The fitting should be installed by qualified installers to comply with the HD 384 standards.

**IMPORTANT**

Post Sales Support HQ 1-800-388-3382 support@zaneen.com



EN

- Installation and electrification must be carried out by a qualified electrician, only.
- Observe all relevant building codes and regulations.
- Prior to installation or repair: disconnect power; it is the installer's responsibility to ensure for all electrical, mechanical and thermal compatibility.
- The LED light source contained in this fixture shall only be replaced by Zaneen, or a person approved by Zaneen.
- Recommendations: Keep the instruction sheet(s) in the event of maintenance and/or disassembly.

Access detailed specification sheets and the warranty policy on the product page at [zaneen.com](http://zaneen.com).

FR

- L'installation et l'électrification doivent être effectuées uniquement par un électricien qualifié.
- Respectez tous les codes du bâtiment et réglementations en vigueur.
- Avant l'installation ou la réparation: débranchez l'alimentation électrique; Il incombe à l'installateur des'assurer de la compatibilité électrique, mécanique et thermique.
- La source de lumière LED contenue dans ce luminaire ne doit être remplacée que par Zaneen, ou une personne approuvée par Zaneen.
- Recommandations: Conservez la (les) fiche (s) d'instructions en cas de maintenance et / ou de démontage

Accéder aux fiches techniques détaillées et à la politique de garantie sur la page du produit sur [zaneen.com](http://zaneen.com)